

NSL SERIES

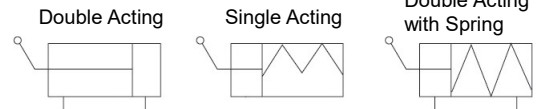
Light-Weight Stopper Cylinder

Tube bore size : Ø32, Ø40

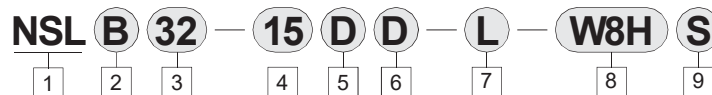


- Numerous variation of rod end shape
- Equipped with an easy to maintain and exchange shock absorber
- Single acting, double acting, double acting with spring
- Mini-size auto switch option available
- High reliability with attaching wear ring

Indicational Signal



How to Order



1 Light-Weight Stopper
New Stopper Light

2 Mounting
B : Through-hole (Standard)
A : Both ends tapped

3 Bore Size(mm)
32 : 32mm
40 : 40mm

4 Stroke :
O.D : Stroke
Ø32 : 10, 15, 20
Ø42 : 20, 25, 30

5 Action
T : Single acting
D : Double acting
Z : Double acting with spring

6 Rod end configuration
None : round
L : Lever (Non-adjusting type)
B : Lever (Energy absorption adjustment type)
D : Lever (Energy absorption adjustment type) with lock mechanism

7 Mounting Bolt
Blank : none
L : Including together

8 Auto Switch
Blank : Non-switch
W8H : Reed horizontal 2 wire
W8V : Reed vertical 2-wire
W9H : Solid state Horizontal 2-wire
W9V : Solid state vertical 2-wire
W20H : Solid state auto horizontal 2 color indicator

9 Auto Switch
Blank : 2
S : 1

Light-Weight Stopper Cylinder *NSL Series*

Specifications

Action	Single acting, Double acting, Double acting with spring
Fluid	Air
Proof pressure	1.5MPa
Maximum operating pressure	1.0MPa
Ambient and fluid temperatures	-5℃ ~ -6℃ (No freezing)
Lubricant	Not required(Non-lube)
Cushion	Rubber Cushion
Stroke length tolerance	+1.4 0
Mounting	Through-hole, Both ends tapped
Auto Switch	Mountable

Standard Strokes

Bore size(mm)	Stroke(mm)
∅32	10, 15, 20
∅40	20, 25, 30

※ LEVER type is standard

ROD High Rigidity

Bore Size(mm)	ROD size (mm)
∅32	20
∅40	25

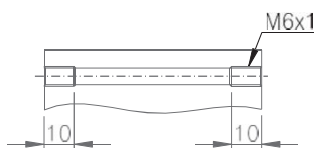
Spring Force(Single Acting) (N)

Bore Size(mm)	Extended	Compressed
∅32	8.9	18.7
∅40	13.8	27.6

Weight (Unit : kg)

Action	Bore Size(mm)	Rod end configuration	Cylinder Stroke(mm)				
			10	15	20	25	30
Double acting, Double acting with spring, Single acting	32	Round Bar, Roller	0.40	0.42	0.44	—	—
		Lever	0.50	0.52	0.54	—	—
	40	Round Bar, Roller	—	—	0.69	0.75	0.81
		Lever	—	—	0.93	0.97	1.01

Both ends tapped

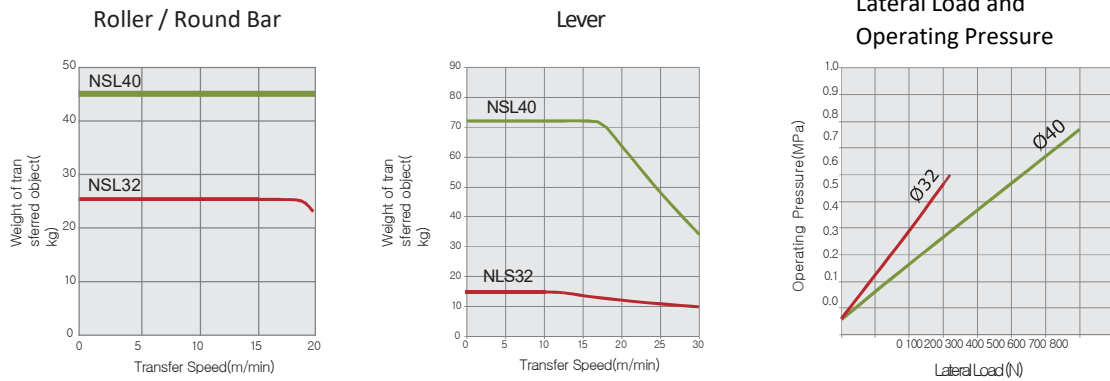


Through-hole mounting bolt

Cylinder	Mounting Bolt
NSLB32-10	CQ-M5x60L
NSLB32-15	CQ-M5x65L
NSLB32-20	CQ-M5x70L
NSLB40-20	CQ-M5x75L
NSLB40-25	CQ-M5x80L
NSLB40-30	CQ-M5x85L

NSL Series

Stopper Cylinder Model Selection



1. The size of the cylinder is selected at the intersection of the maximum mass and speed of the transferred object
2. The operating lateral load is obtained by friction coefficient with the pallet and the conveyor roller (commercial transverse load = transferred object X friction coefficient).
3. Sets the cross-use load and pressure and selects SIZE for the cylinder

◆ Example of application (Lever) ◆

Conditions of use

- Conveyor speed: 20 m/min, total mass of transferred object : 30 kg, Friction factor: 0.1

The way of selection

- Select SIZE for Cylinder

Selected NSL40 cylinder considering total mass of 30 kg and conveyor speed of 20 m/min.

- Selection of pressure for use

If the transverse load is large, the pressure used is also large in proportion to the transverse load, so set the pressure referring to the graph.

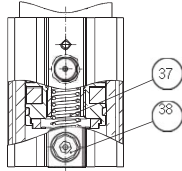
Caution

Please read the precautions before using the product.

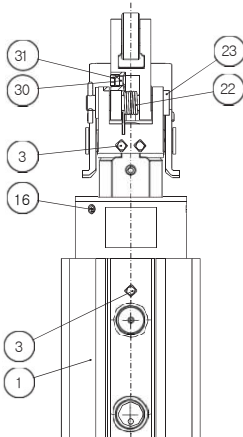
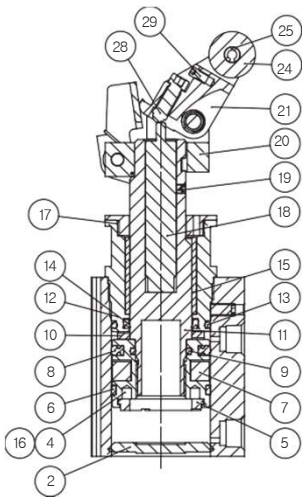
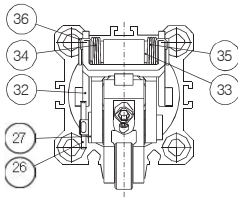
When selected	<ul style="list-style-type: none"> • Use only if there is no direct or indirect damage to the piston rod mating half. • Please use transferred object and transverse load within the range specified in the catalog. • Pallet limits the height, so use only the upper and lower heights listed in the dimensional chart.
For use	<ul style="list-style-type: none"> • Do not apply external force on the other side when using a cylinder with a lock fixture. • Use a cylinder with a lock fixture when used for accurate positioning. • When the cylinder is operating, be careful not to pinch your fingers as it rotates or operates between the lever holder and the lever holder and the road cover. • Please take care to keep the oil or other materials from entering the piston rod mating half.
Upon attachment	<ul style="list-style-type: none"> • Attach the cylinder contact and pallet contact surfaces parallel to avoid applying rotational torque to the cylinder rod.
Repair inspection	<ul style="list-style-type: none"> • Make sure that the Shock Absorber is firmly seated inside the piston rod when replaced. • Adjust the force of the Shock Absorber and tighten it with a bolt.
ETC.	<ul style="list-style-type: none"> • The rear face position of the load cover parts may vary from product to product.

Structure / Parts List

Ø32 Lever(Adjustable Absorber Type) with Lock Mechanism



Spring loaded with single acting



Component Parts

NO	Description	Material	Qty.	Remarks
1	TUBE	Aluminum Alloy	1	
2	END PLATE	Aluminum Alloy	1	
3	Socket Set Screw	Chromium Molybdenum	1	
4	PISTON	Aluminum Alloy	1	
5	BUMPER	Polyurethane	1	
6	WEARING	Resin	1	
7	MAGNET	NBR+Ferrite	1	
8	PISTON PACKING	NBR	1	
9	O-RING	NBR	1	
10	BUMPER	polyurethane	1	
11	PISTON ROD	Carbon Steel	1	
12	ROD COVER	Aluminum Alloy	1	
13	O-RING	NBR	1	
14	ROD PACKING	NBR	1	
15	BUSH	Lead Bronze Casting	1	
16	Socket Set Screw	Chromium Molybdenum	1	
17	Non-rotating Guide	Structural Steel	1	
18	SHOCK ABSORBER	—	1	
19	Socket Set Screw	Chromium Molybdenum	1	
20	LEVER HOLDER	Carbon Steel	1	
21	LEVER	Cast iron	1	
22	LEVER SPRING	Stainless steel wire	1	
23	LEVER PIN	Carbon Steel	1	
24	ROLLER	Resin	1	
25	SPRING PIN	Carbon Steel	1	
26	Split Pin	Stainless steel wire	1	
27	Flat Washer	Structural Steel	1	
28	ADJUST BOLT	Bearing Steel	1	
29	Socket Set Screw	Chromium Molybdenum	1	
30	BUMPER	polyurethane	1	
31	Socket Set Screw	Chromium Molybdenum	1	
32	LOCK BRACKET	Structural Steel	1	
33	BUSH	Alloy Steel	2	
34	LOCK SPRING(Left)	Stainless steel wire	1	
35	LOCK SPRING(Right)	Stainless steel wire	1	
36	Low Head Cap Screws	Carbon Steel	2	
37	RETURN SPRING	Stainless steel wire	1	Spring Lead In/ Single Acting
38	Throttle Adjustment Plug	Alloy Steel	1	Single Acting

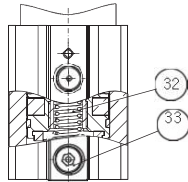
Replacement Parts

Bore Size	Description	Model name	Qty.	Remarks
Ø32	SHOCK ABSORBER	SC1008	1	No. 18
Ø32	Packing Set	NSL32D-PS	1	No. 8, 13, 14 included

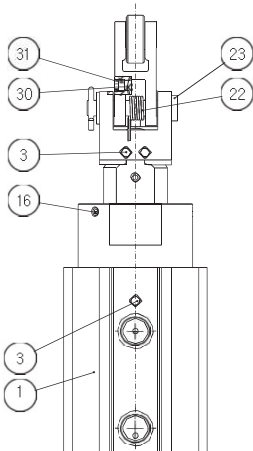
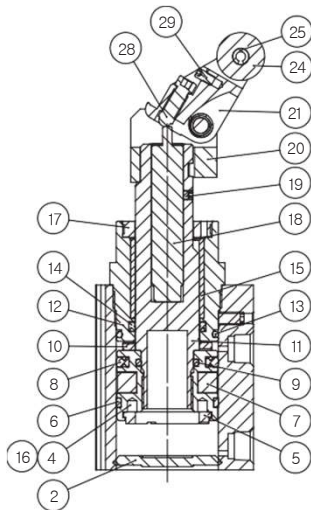
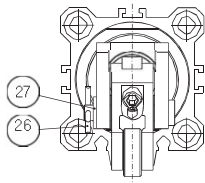
NSL Series

Structure / Parts List

Ø32 Lever(Adjustable Absorber Type)



Spring loaded with single acting



Components List

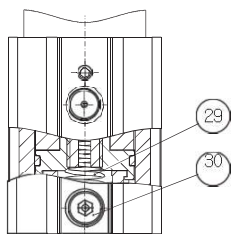
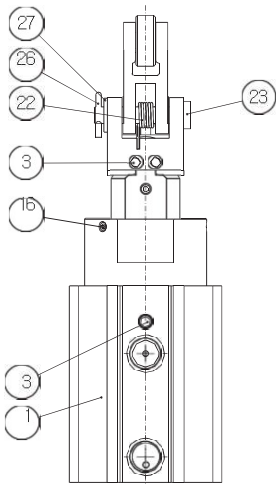
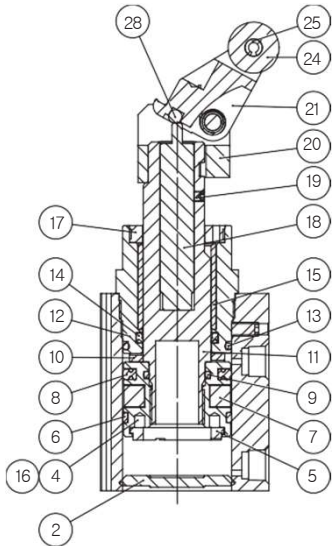
NO	Description	Material	Qty.	Remarks
1	TUBE	Aluminum Alloy	1	
2	END PLATE	Aluminum Alloy	1	
3	Socket Set Screw	Chromium Molybdenum	1	
4	PISTON	Aluminum Alloy	1	
5	BUMPER	polyurethane	1	
6	WEARING	Resin	1	
7	MAGNET	NBR+Ferrite	1	
8	PISTON PACKING	NBR	1	
9	O-RING	NBR	1	
10	BUMPER	polyurethane	1	
11	PISTON ROD	Carbon Steel	1	
12	ROD COVER	Aluminum Alloy	1	
13	O-RING	NBR	1	
14	ROD PACKING	NBR	1	
15	BUSH	Lead Bronze Casting	1	
16	Socket Set Screw	Chromium Molybdenum	1	
17	Non-rotating Guide	Structural Steel	1	
18	SHOCK ABSORBER	—	1	
19	Socket Set Screw	Chromium Molybdenum	1	
20	LEVER HOLDER	Carbon Steel	1	
21	LEVER	Cast iron	1	
22	LEVER SPRING	Stainless steel wire	1	
23	LEVER PIN	Carbon Steel	1	
24	ROLLER	Resin	1	
25	SPRING PIN	Carbon Steel	1	
26	Split Pin	Stainless steel wire	1	
27	Flat Washer	Structural Steel	1	
28	ADJUST BOLT	Bearing Steel	1	
29	Socket Set Screw	Chromium Molybdenum	1	
30	BUMPER	polyurethane	1	
31	Socket Set Screw	Chromium Molybdenum	1	
32	RETURN SPRING	Stainless steel wire	1	Spring Lead In/Single acting
33	Throttle Adjustment Plug	Alloy Steel	1	Single acting

Replacement Parts

Bore size	Description	Model name	Qty.	Remarks
Ø32	SHOCK ABSORBER	SC1008	1	No. 18
Ø32	Packing Set	NSL32D-PS	1	No. 8, 13, 14 included

Structure / Parts List

Ø32 Lever
(Fixed Absorber Type)



Spring loaded with single acting

Components List

NO	Description	Material	Qty.	Remarks
1	TUBE	Alluminum Alloy	1	
2	END PLATE	Alluminum Alloy	1	
3	Socket Set Screw	Chromium Molybdenum	3	
4	PISTON	Alluminum Alloy	1	
5	BUMPER	polyurethane	1	
6	WEARING	Resin	1	
7	MAGNET	NBR+Ferrite	1	
8	PISTON PACKING	NBR	1	
9	O-RING	NBR	1	
10	BUMPER	polyurethane	1	
11	PISTON ROD	Carbon Steel	1	
12	ROD COVER	Alluminum Alloy	1	
13	O-RING	NBR	1	
14	ROD PACKING	NBR	1	
15	BUSH	Lead Bronze Casting	1	
16	Socket Set Screw	Chromium Molybdenum	1	
17	Non-rotating Guide	Structural Steel	1	
18	SHOCK ABSORBER	—	1	
19	Socket Set Screw	Chromium Molybdenum	1	
20	LEVER HOLDER	Carbon Steel	1	
21	LEVER	Cast iron	1	
22	LEVER SPRING	Stainless steel wire	1	
23	LEVER PIN	Carbon Steel	1	
24	ROLLER	Resin	2	
25	SPRING PIN	Carbon Steel	1	
26	Split Pin	Stainless steel wire	1	
27	Flat Washer	Structural Steel	1	
28	STEEL BALL	Bearing Steel	1	
29	RETURN SPRING	Stainless steel wire	1	Spring Lead In/Single Acting
30	Throttle Adjustment Plug	Alloy Steel	1	Single Acting

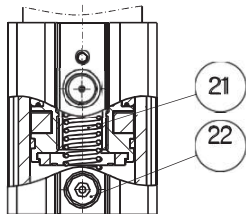
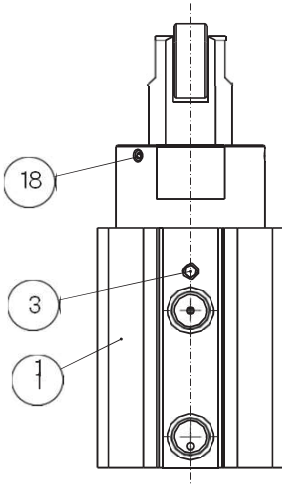
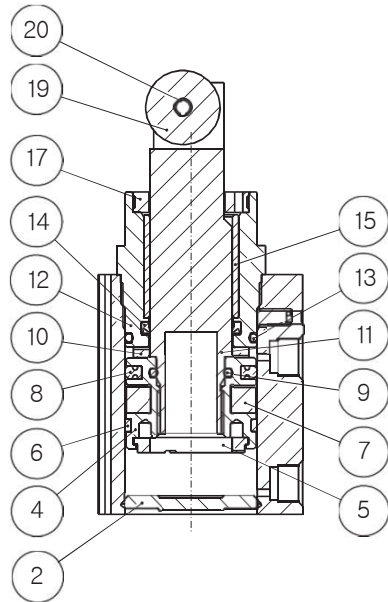
Replacement Parts

Bore Size	Description	Model name	Qty.	Remarks
Ø32	SHOCK ABSORBER	SC1008	1	No. 18
Ø32	Packing Set	NSL32D-PS	1	No. 8, 13, 14 included

NSL Series

Structure / Parts List

Ø32 Roller



Spring loaded with single acting

Components List

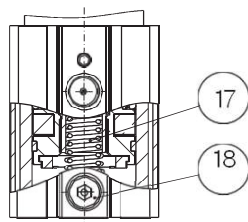
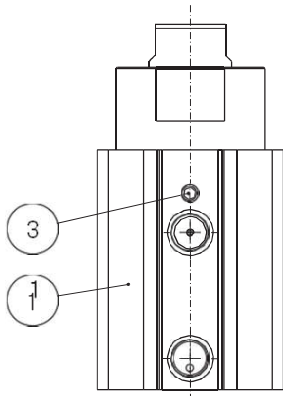
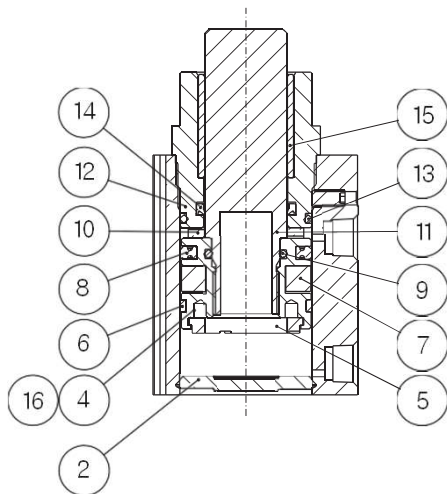
NO	Description	Material	Qty.	Remarks
1	TUBE	Aluminum Alloy	1	
2	END PLATE	Aluminum Alloy	1	
3	Socket Set Screw	Chromium Molybdenum	1	
4	PISTON	Aluminum Alloy	1	
5	BUMPER	polyurethane	1	
6	WEARING	Resin	1	
7	MAGNET	NBR+Ferrite	1	
8	PISTON PACKING	NBR	1	
9	O-RING	NBR	1	
10	BUMPER	polyurethane	1	
11	PISTON ROD	Carbon Steel	1	
12	ROD COVER	Aluminum Alloy	1	
13	O-RING	NBR	1	
14	ROD PACKING	NBR	1	
15	BUSH	Lead Bronze Casting	1	
16	Socket Set Screw	Chromium Molybdenum	1	
17	Non-rotating Guide	Structural Steel	1	
18	Socket Set Screw	Chromium Molybdenum	1	
19	ROLLER	Resin	1	
20	SPRING PIN	Carbon Steel	1	
21	RETURN SPRING	Stainless steel wire	1	Spring Lead In/Single Acting
22	Throttle Adjustment Plug	Alloy Steel	1	Single Acting

Replacement Parts

Bore size	Description	Model name	Qty.	Remarks
Ø32	Packing Set	NSL32D-PS	1	No. 8, 13, 14 included

Structure / Parts List

Ø32 Round Bar



Spring loaded with single acting

Components List

NO	Description	Material	Qty.	Remarks
1	TUBE	Alluminum Alloy	1	
2	END PLATE	Alluminum Alloy	1	
3	Socket Set Screw	Chromium Molybdenum	1	
4	PISTON	Alluminum Alloy	1	
5	BUMPER	polyurethane	1	
6	WEARING	Resin	1	
7	MAGNET	NBR+Ferrite	1	
8	PISTON PACKING	NBR	1	
9	O-RING	NBR	1	
10	BUMPER	polyurethane	1	
11	PISTON ROD	Carbon Steel	1	
12	ROD COVER	Alluminum Alloy	1	
13	O-RING	NBR	1	
14	ROD PACKING	NBR	1	
15	BUSH	Lead Bronze Casting	1	
16	Socket Set Screw	Chromium Molybdenum	1	
17	RETURN SPRING	Stainless steel wire	1	SpringLead In/Single Acting
18	Throttle Adjustment Plug	Alloy Steel	1	Single Acting

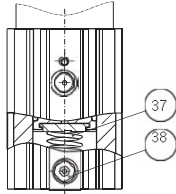
Replacement Parts

Bore size	Description	Model name	Qty.	Remarks
Ø32	Packing Set	NSL32D-PS	1	No. 8, 13, 14 included

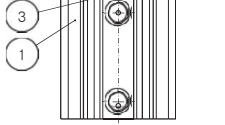
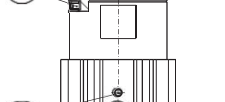
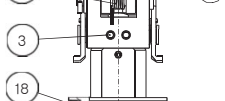
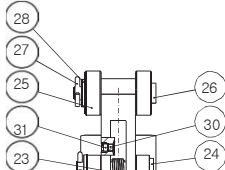
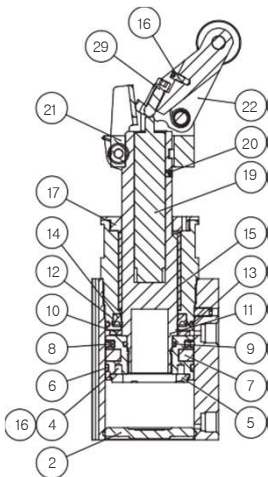
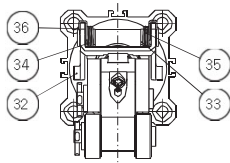
NSL Series

Structure / Parts List

Ø40 Lever(Adjustable Absorber Type) with Lock Mechanism



Spring loaded with single acting



Components List

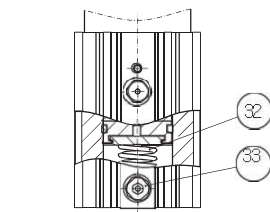
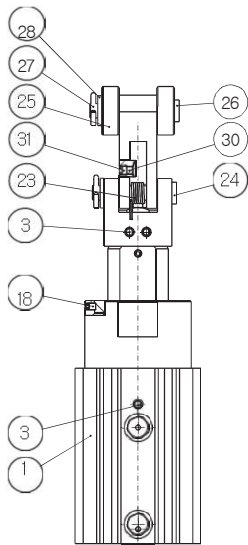
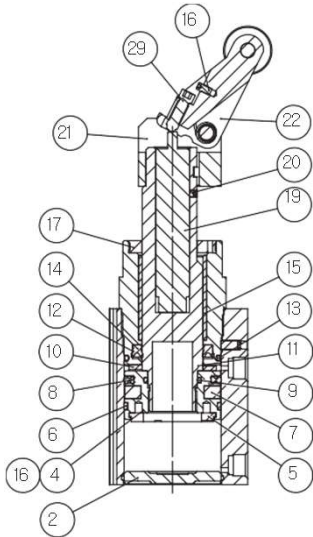
NO	Description	Material	Qty.	Remarks
1	TUBE	Aluminum Alloy	1	
2	END PLATE	Aluminum Alloy	1	
3	Socket Set Screw	Chromium Molybdenum	1	
4	PISTON	Aluminum Alloy	1	
5	BUMPER	polyurethane	1	
6	WEARING	Resin	1	
7	MAGNET	NBR+Ferrite	1	
8	PISTON PACKING	NBR	1	
9	O-RING	NBR	1	
10	BUMPER	polyurethane	1	
11	PISTON ROD	Carbon Steel	1	
12	ROD COVER	Aluminum Alloy	1	
13	O-RING	NBR	1	
14	ROD PACKING	NBR	1	
15	BUSH	Lead Bronze Casting	1	
16	Socket Set Screw	Chromium Molybdenum	1	
17	Non-rotating Guide	Structural Steel	1	
18	Socket Set Screw	Chromium Molybdenum	1	
19	SHOCK ABSORBER	—	1	
20	Socket Set Screw	Chromium Molybdenum	1	
21	LEVER HOLDER	Carbon Steel	1	
22	LEVER	Cast iron	1	
23	LEVER SPRING	Stainless steel wire	1	
24	LEVER PIN	Carbon Steel	1	
25	ROLLER	Resin	2	
26	ROLLER PIN	Carbon Steel	1	
27	Split Pin	Stainless steel wire	2	
28	Flat Washer	Structural Steel	2	
29	ADJUST BOLT	Bearing Steel	1	
30	BUMPER	polyurethane	1	
31	Socket Set Screw	Chromium Molybdenum	1	
32	LOCK BRACKET	Structural Steel	1	
33	BUSH	Alloy Steel	2	
34	LOCK SPRING(Left)	Stainless steel wire	1	
35	LOCK SPRING(Right)	Stainless steel wire	1	
36	Low Head Cap Screws	Carbon Steel	2	
37	RETURN SPRING	Stainless steel wire	1	SpringLead In/Single Acting
38	Throttle Adjustment Plug	Alloy Steel	1	Single Acting

Replacement Parts

Bore size	Description	Model name	Qty.	Remarks
Ø40	SHOCK ABSORBER	SC1407	1	No. 19
Ø40	Packing Set	NSL40D-PS	1	No. 8, 13, 14 included

Structure / Parts List

Ø40 Lever(Adjustable Absorber Type)



Spring loaded with single acting

Components List

NO	Description	Material	Qty.	Remarks
1	TUBE	Alluminum Alloy	1	
2	END PLATE	Alluminum Alloy	1	
3	Socket Set Screw	Chromium Molybdenum	1	
4	PISTON	Alluminum Alloy	1	
5	BUMPER	polyurethane	1	
6	WEARING	Resin	1	
7	MAGNET	NBR+Ferrite	1	
8	PISTON PACKING	NBR	1	
9	O-RING	NBR	1	
10	BUMPER	polyurethane	1	
11	PISTON ROD	Carbon Steel	1	
12	ROD COVER	Alluminum Alloy	1	
13	O-RING	NBR	1	
14	ROD PACKING	NBR	1	
15	BUSH	Lead Bronze Casting	1	
16	Socket Set Screw	Chromium Molybdenum	1	
17	Non-rotating Guide	Structural Steel	1	
18	Socket Set Screw	Chromium Molybdenum	1	
19	SHOCK ABSORBER	—	1	
20	Socket Set Screw	Chromium Molybdenum	1	
21	LEVER HOLDER	Carbon Steel	1	
22	LEVER	Cast iron	1	
23	LEVER SPRING	Stainless steel wire	1	
24	LEVER PIN	Carbon Steel	1	
25	ROLLER	Resin	2	
26	ROLLER PIN	Carbon Steel	1	
27	Split Pin	Stainless steel wire	2	
28	Flat Washer	Structural Steel	2	
29	ADJUST BOLT	Bearing Steel	1	
30	BUMPER	polyurethane	1	
31	Socket Set Screw	Chromium Molybdenum	1	
32	RETURN SPRING	Stainless steel wire	1	SpringLead In/Single Acting
33	Throttle Adjustment Plug	Alloy Steel	1	Single Acting

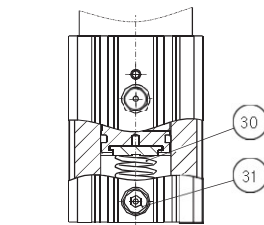
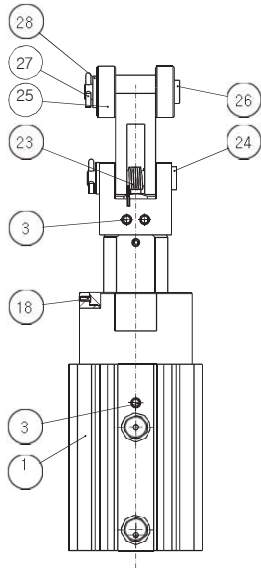
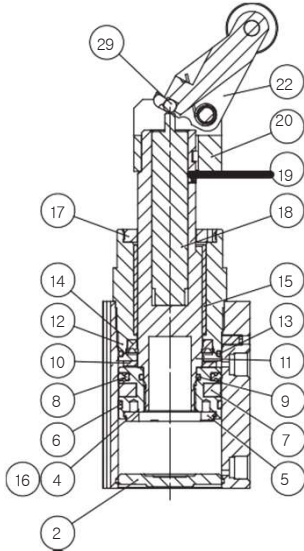
Replacement Parts

Bore size	Description	Model name	Qty.	Remarks
Ø40	SHOCK ABSORBER	SC1407	1	No. 19
Ø40	Packing Set	NSL40D-PS	1	No. 8, 13, 14 included

NSL Series

Structure / Parts List

Ø40 Lever
(Fixed Absorber Type)



Spring loaded with single acting

Components List

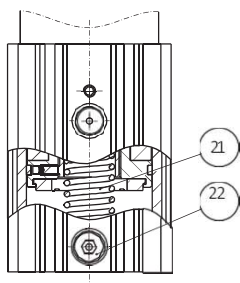
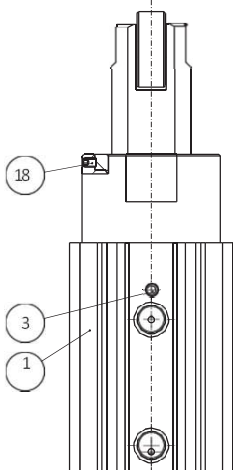
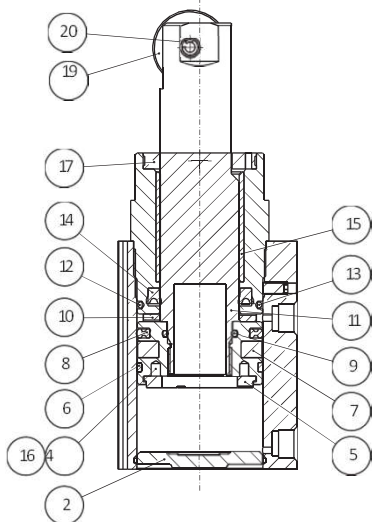
NO	Description	Material	Qty.	Remarks
1	TUBE	Aluminum Alloy	1	
2	END PLATE	Aluminum Alloy	1	
3	Socket Set Screw	Chromium Molybdenum	1	
4	PISTON	Aluminum Alloy	1	
5	BUMPER	polyurethane	1	
6	WEARING	Resin	1	
7	MAGNET	NBR+Ferrite	1	
8	PISTON PACKING	NBR	1	
9	O-RING	NBR	1	
10	BUMPER	polyurethane	1	
11	PISTON ROD	Carbon Steel	1	
12	ROD COVER	Aluminum Alloy	1	
13	O-RING	NBR	1	
14	ROD PACKING	NBR	1	
15	BUSH	Lead Bronze Casting	1	
16	Socket Set Screw	Chromium Molybdenum	1	
17	Non-rotating Guide	Structural Steel	1	
18	Socket Set Screw	Chromium Molybdenum	1	
19	SHOCK ABSORBER	—	1	
20	Socket Set Screw	Chromium Molybdenum	1	
21	LEVER HOLDER	Carbon Steel	1	
22	LEVER	Cast iron	1	
23	LEVER SPRING	Stainless steel wire	1	
24	LEVER PIN	Carbon Steel	1	
25	ROLLER	Resin	2	
26	ROLLER PIN	Carbon Steel	1	
27	Split Pin	Stainless steel wire	2	
28	Flat Washer	Structural Steel	2	
29	STEEL BALL	Bearing Steel	1	
30	RETURN SPRING	Stainless steel wire	1	SpringLead In/Single Acting
31	Throttle Adjustment Plug	Alloy Steel	1	Single Acting

Replacement Parts

Bore size	Description	Model name	Qty.	Remarks.
Ø40	SHOCK BSORBER	SC1407	1	No. 19
Ø40	PackingSet	NSL40D-PS	1	No. 8, 13, 14 included

Structure / Parts List

Ø40 Roller



Spring loaded with single acting

Components List

NO	Description	Material	Qty.	Remarks
1	TUBE	Aluminum Alloy	1	
2	END PLATE	Aluminum Alloy	1	
3	Socket Set Screw	Chromium Molybdenum	1	
4	PISTON	Aluminum Alloy	1	
5	BUMPER	polyurethane	1	
6	WEARING	Resin	1	
7	MAGNET	NBR+Ferrite	1	
8	PISTON PACKING	NBR	1	
9	O-RING	NBR	1	
10	BUMPER	polyurethane	1	
11	PISTON ROD	Carbon Steel	1	
12	ROD COVER	Aluminum Alloy	1	
13	O-RING	NBR	1	
14	ROD PACKING	NBR	1	
15	Bush	Lead Bronze Casting		
16	Socket Set Screw	Chromium		
16	Socket Set Screw	Chromium Molybdenum	1	
17	Non-rotating Guide	Structural Steel	1	
18	Socket Set Screw	Chromium Molybdenum	1	
19	ROLLER	Resin	1	
20	SPRING PIN	Carbon Steel	1	
21	RETURN SPRING	Stainless steel wire	1	SpringLead In /Single Acting
22	Throttle Adjustment Plug	Alloy Steel	1	Single Acting

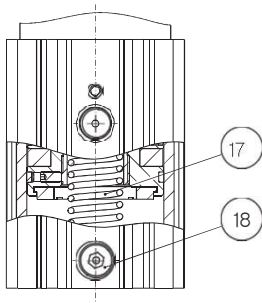
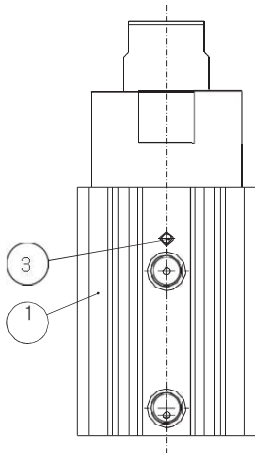
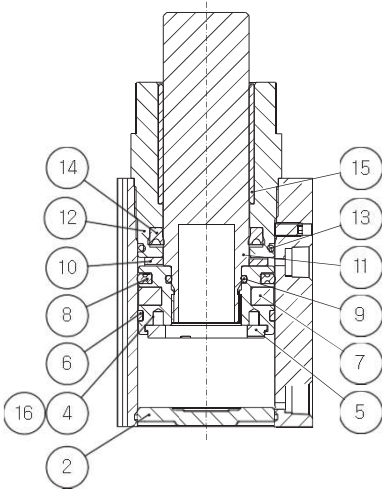
Replacement Parts

Bore size	Description	Model name	Qty.	Remarks
Ø40	Packing Set	NSL40D-PS	1	No. 8, 13, 14 included

NSL Series

Structure / Parts List

Ø40 Round Bar



Spring loaded with single acting

Components List

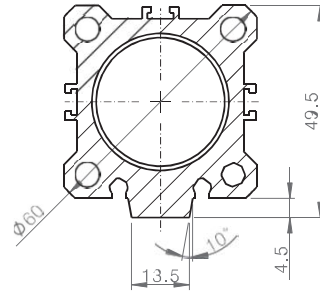
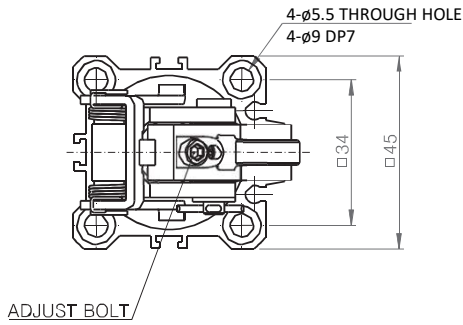
NO	Description	Material	Qty.	Remarks
1	TUBE	Aluminum Alloy	1	
2	END PLATE	Aluminum Alloy	1	
3	Socket Set Screw	Chromium Molybdenum	1	
4	PISTON	Aluminum Alloy	1	
5	BUMPER	polyurethane	1	
6	WEARING	Resin	1	
7	MAGNET	NBR+Ferrite	1	
8	PISTON PACKING	NBR	1	
9	O-RING	NBR	1	
10	BUMPER	polyurethane	1	
11	PISTON ROD	Carbon Steel	1	
12	ROD COVER	Aluminum Alloy	1	
13	O-RING	NBR	1	
14	ROD PACKING	NBR	1	
15	BUSH	Lead Bronze Casting	1	
16	Socket Set Screw	Chromium Molybdenum	1	
17	RETURN SPRING	Stainless steel wire	1	SpringLead In /Single Acting
18	Throttle Adjustment Plug	Alloy Steel	1	Single Acting

Replacement Parts

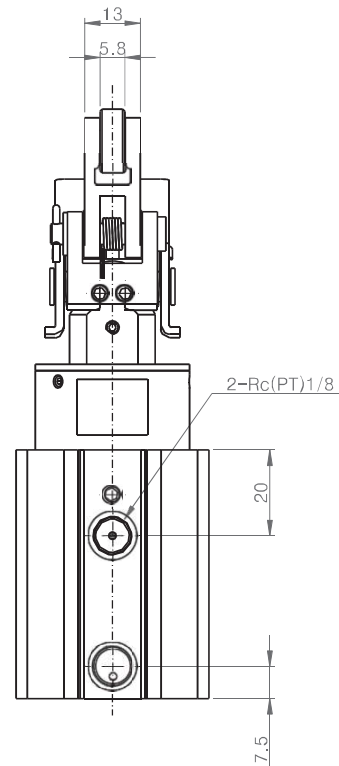
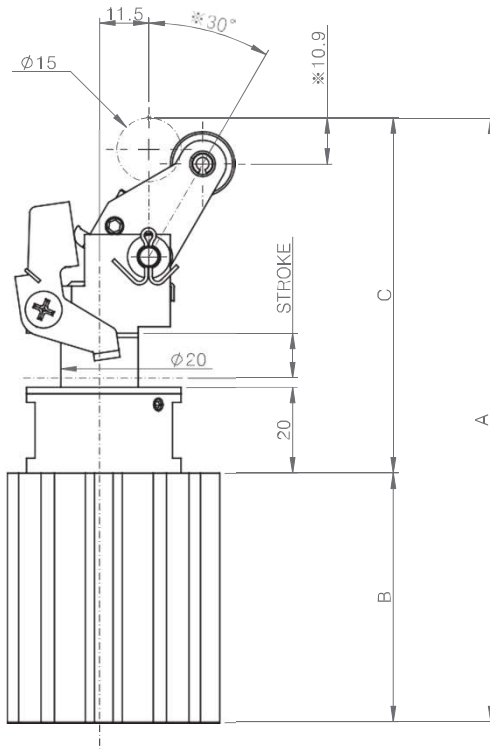
Bore size	Description	Model name	Qty.	Remarks
Ø40	Packing Set	NSL40D-PS	1	No. 8, 13, 14 included

Dimensions

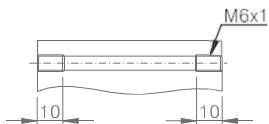
Ø32 Lever(Adjustable Absorber Type) with Lock Mechanism / Through-hole



Sectional drawing of tube



Both end tapped



Stroke External Dimensions

Unit : mm

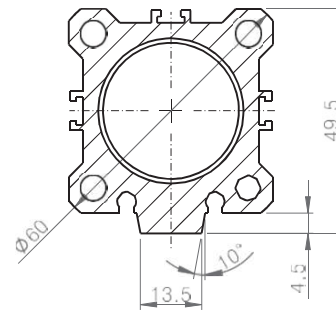
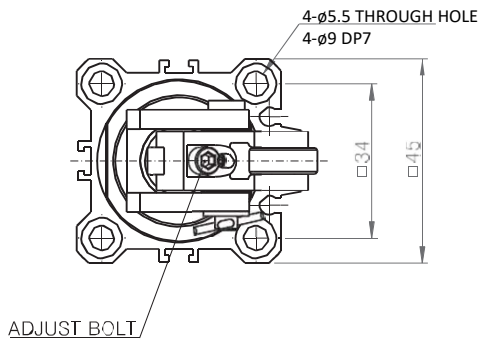
Stroke	A	B	C
10	140.5	58	82.5
15	150.5	63	87.5
20	160.5	68	92.5

This drawing is the dimension of the adjust bolt descent (energy absorption maximum). * The dimension changes as the displayed dimension increases (energy absorption decreases).

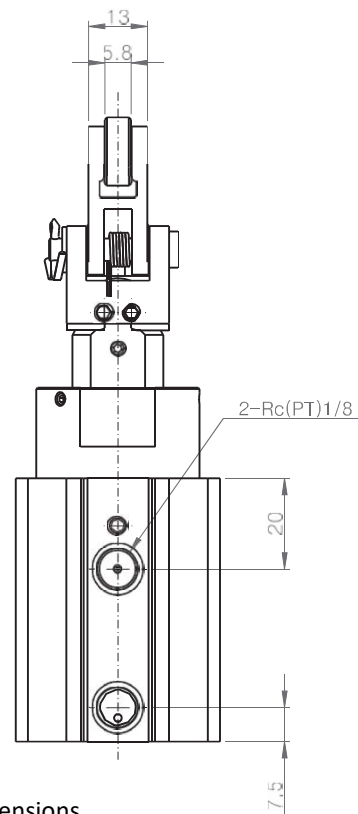
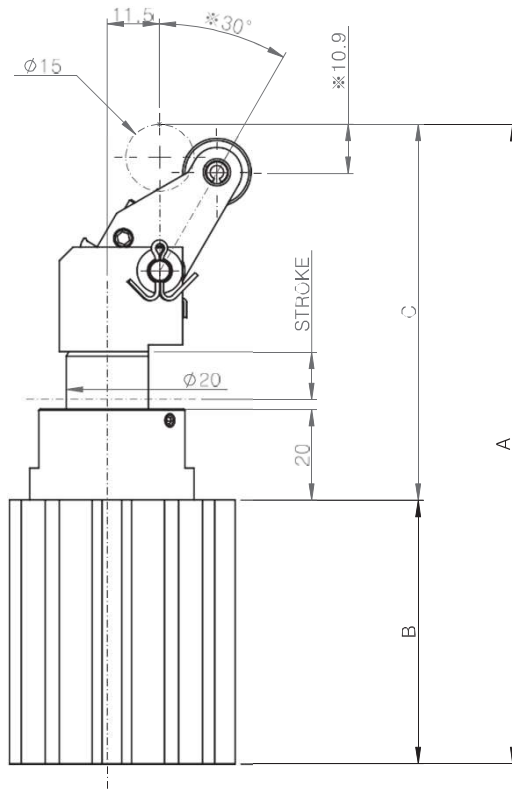
NSL Series

Dimensions

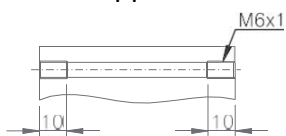
Ø32 Lever(Adjustable Absorber Type) / Through-hole



Sectional drawing of tube



Both end tapped



Stroke External Dimensions

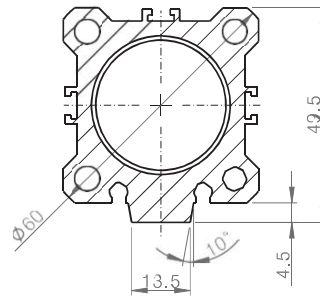
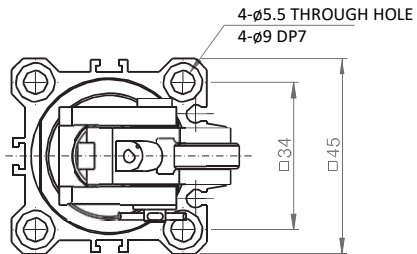
Unit : mm

Stroke	A	B	C
10	140.5	58	82.5
15	150.5	63	87.5
20	160.5	68	92.5

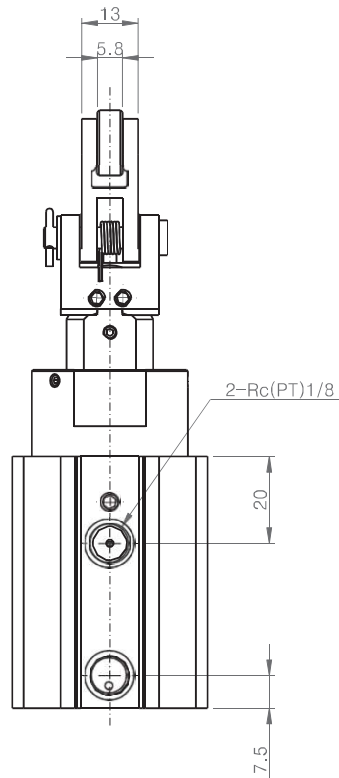
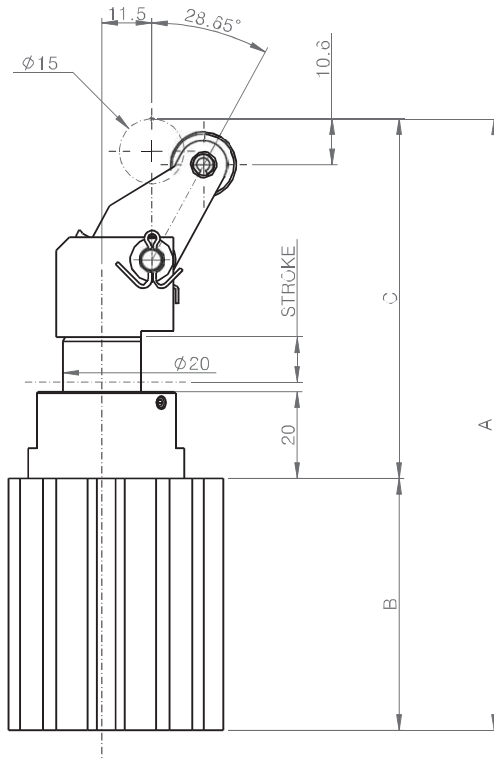
This drawing is the dimension of the adjust bolt descent (energy absorption maximum). * The dimension changes as the displayed dimension increases (energy absorption decreases).

Dimensions

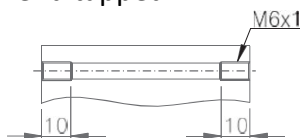
Ø32 Lever(Fixed Absorber Type)
/ Through-hole



Sectional drawing of tube



Both end tapped



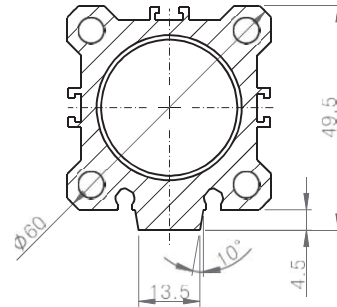
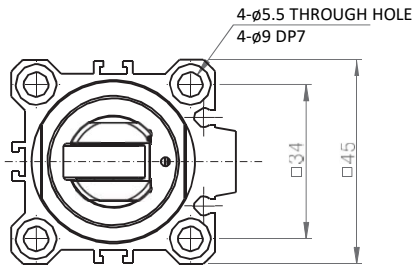
Stroke External Dimensions

Stroke	Unit : mm		
	A	B	C
10	140.5	58	82.5
15	150.5	63	87.5
20	160.5	68	92.5

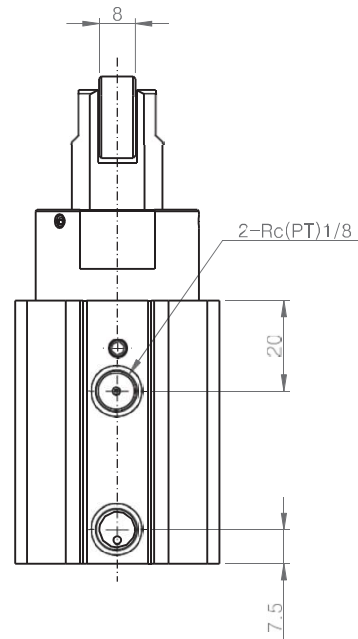
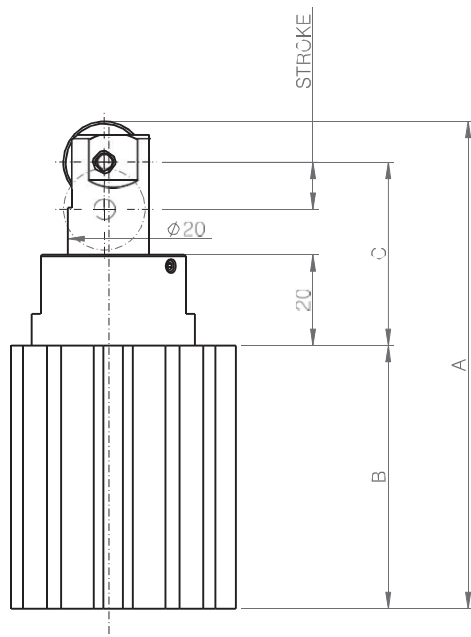
NSL Series

Dimensions

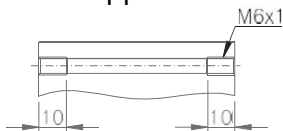
∅32 Roller / Through-hole



Sectional drawing of tube



Both end tapped



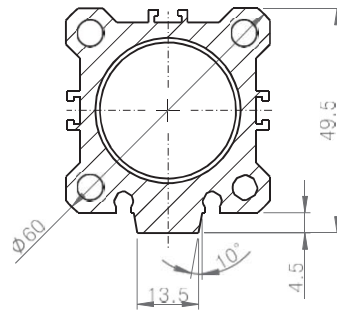
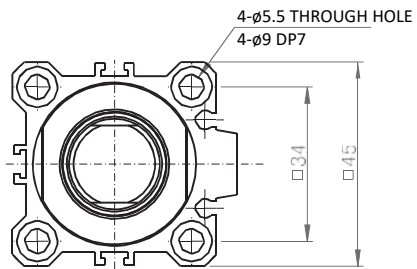
Stroke External Dimensions

Stroke	A	B	C
10	107	58	49
15	117	63	54
20	147	68	79

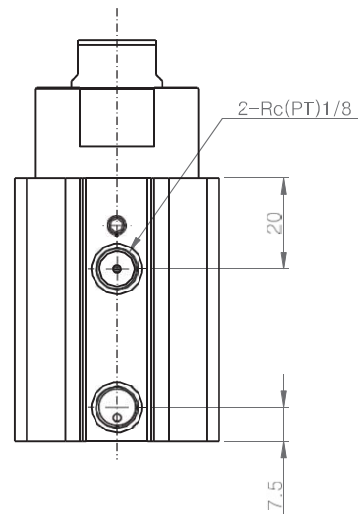
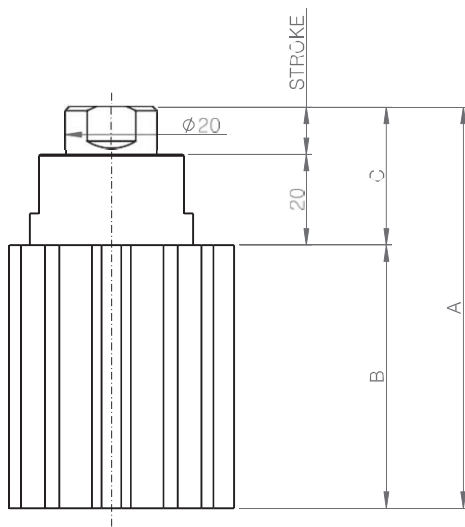
Unit : mm

Dimensions

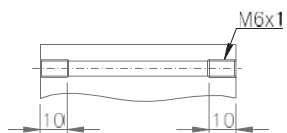
Ø32 Round Bar
/ Through-hole



Sectional drawing of tube



Both end tapped



Stroke External Dimensions

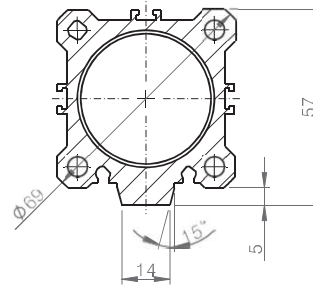
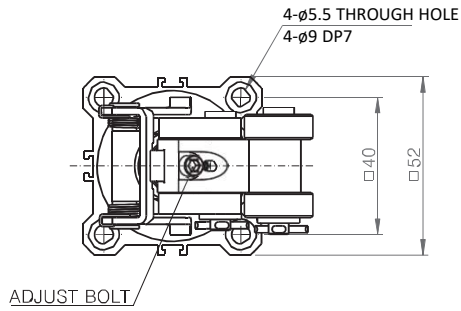
Unit : mm

Stroke	A	B	C
10	88	58	30
15	118	63	55
20	128	68	60

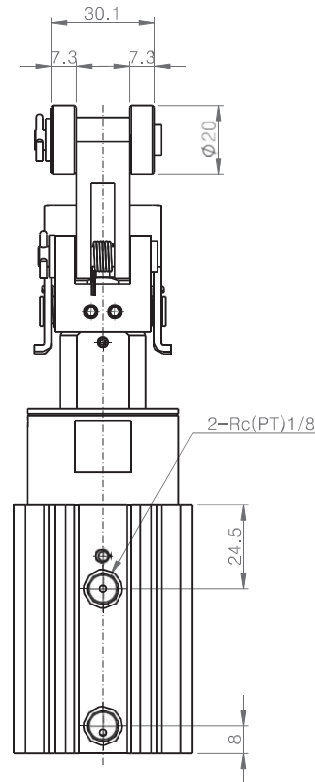
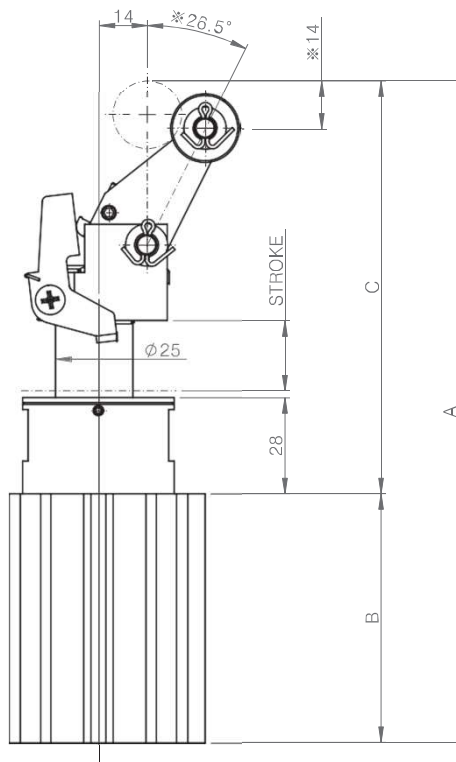
NSL Series

Dimensions

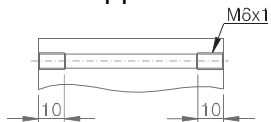
Ø40 Lever(Adjustable Absorber Type) with Lock Mechanism / Through-hole



Sectional drawing of tube



Both end tapped



Stroke External Dimensions

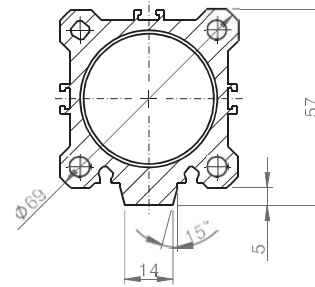
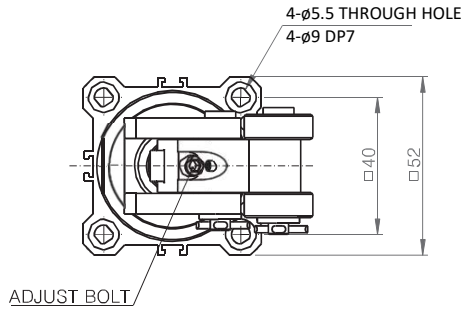
Stroke	Unit : mm		
	A	B	C
20	192.5	72.5	120
25	202.5	77.5	125
30	212.5	82.5	130

This drawing is the dimension of the adjust bolt descent (energy absorption maximum).

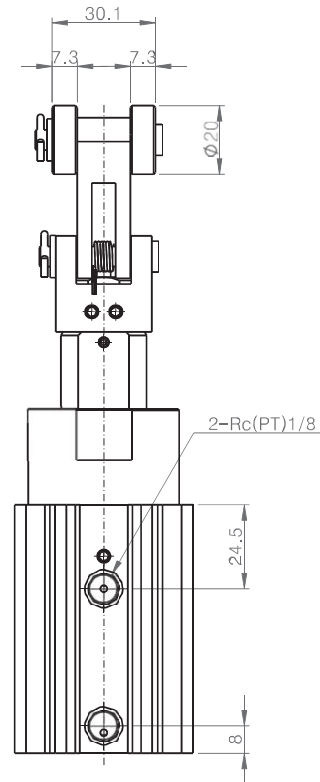
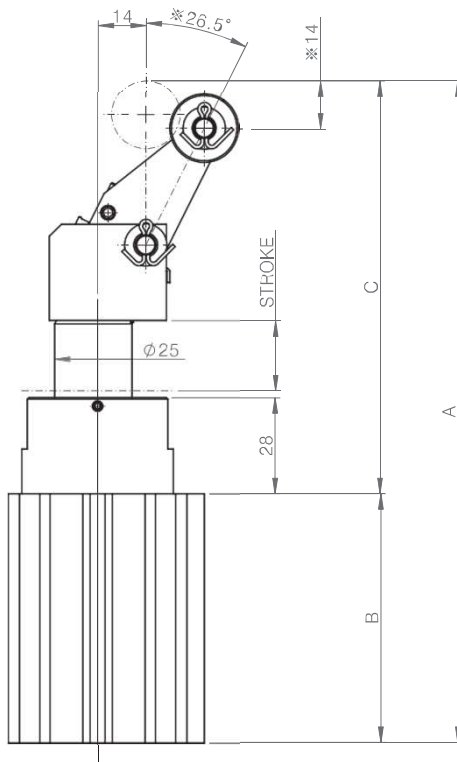
* The dimension changes as the displayed dimension increases (energy absorption decreases).

Dimensions

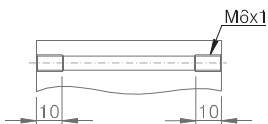
Ø40 Lever(Adjustable Absorber Type)
/ Through-hole



Sectional drawing of tube



Both end tapped



Stroke External Dimensions

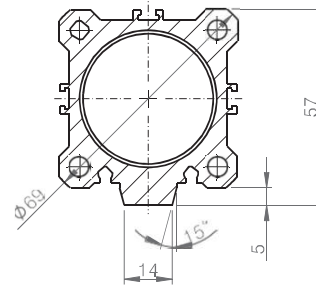
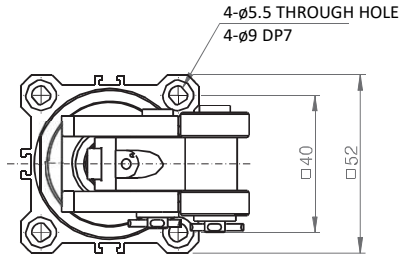
Stroke	Unit : mm		
	A	B	C
20	192.5	72.5	120
25	202.5	77.5	125
30	212.5	82.5	130

This drawing is the dimension of the adjust bolt descent (energy absorption maximum).
* The dimension changes as the displayed dimension increases (energy absorption decreases).

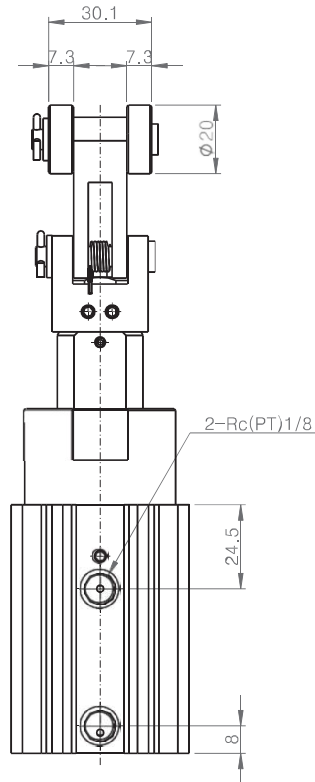
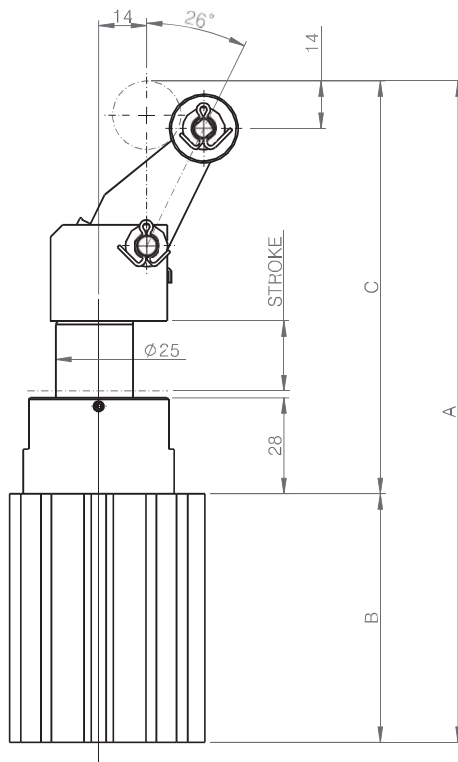
NSL Series

Dimensions

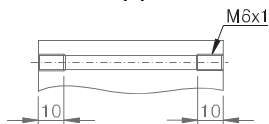
Ø40 Lever(Fixed Absorber Type)
/ Through-hole



Sectional drawing of tube



Both end tapped



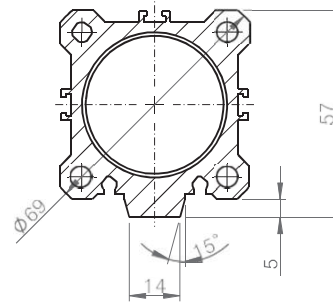
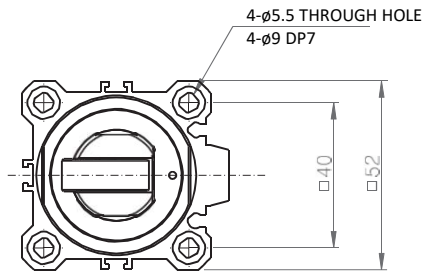
Stroke External Dimensions

Unit : mm

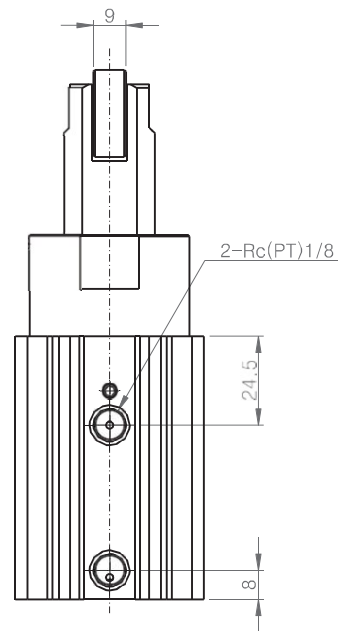
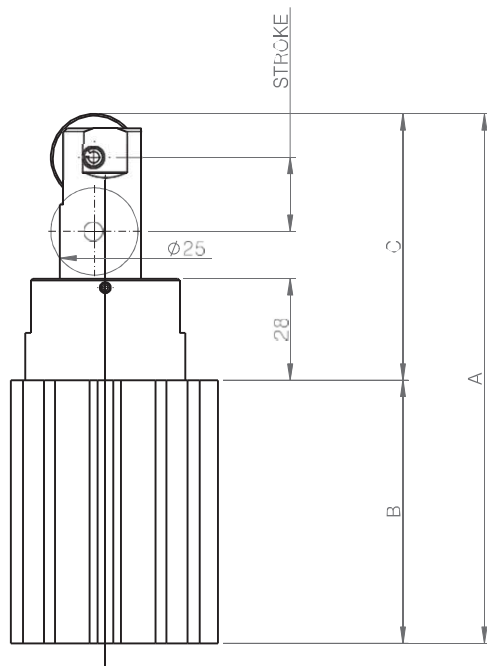
Stroke	A	B	C
20	192.5	72.5	120
25	202.5	77.5	125
30	212.5	82.5	130

Dimensions

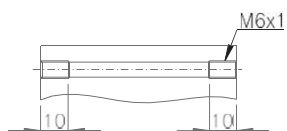
Ø40 Roller / Through-hole



Sectional drawing of tube



Both end tapped



Stroke External Dimensions

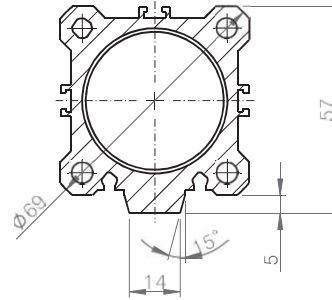
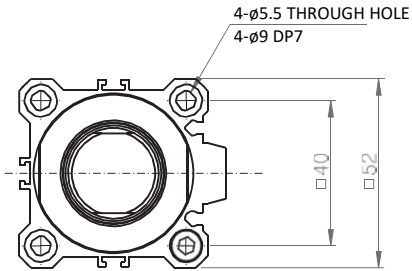
Unit : mm

Stroke	A	B	C
20	145.5	72.5	73
25	155.5	77.5	78
30	165.5	82.5	83

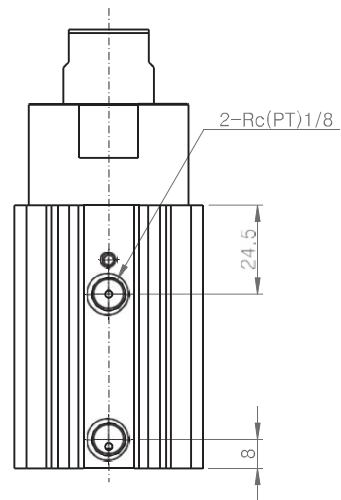
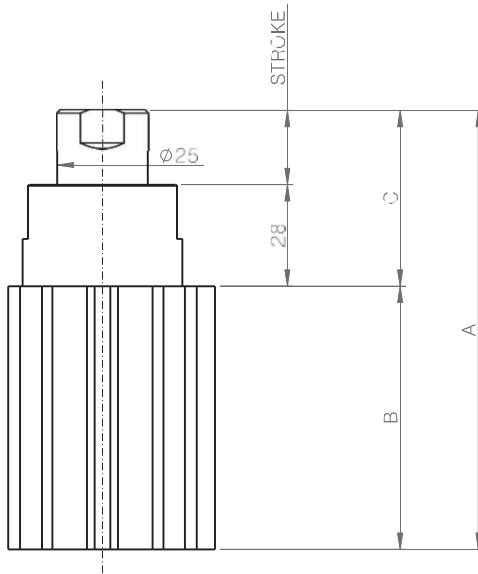
NSL Series

Dimensions

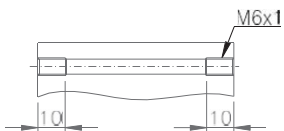
∅40 Round Bar / Through-hole



Sectional drawing of tube



Both end tapped



Stroke External Dimensions

Unit : mm

Stroke	A	B	C
20	120.5	72.5	48
25	130.5	77.5	53
30	140.5	82.5	58